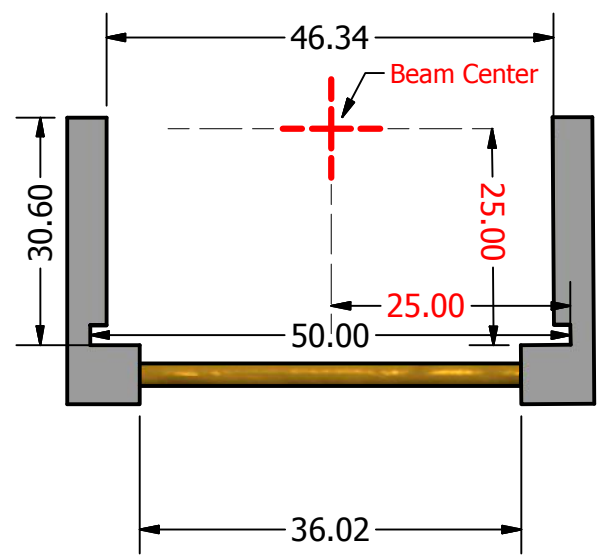
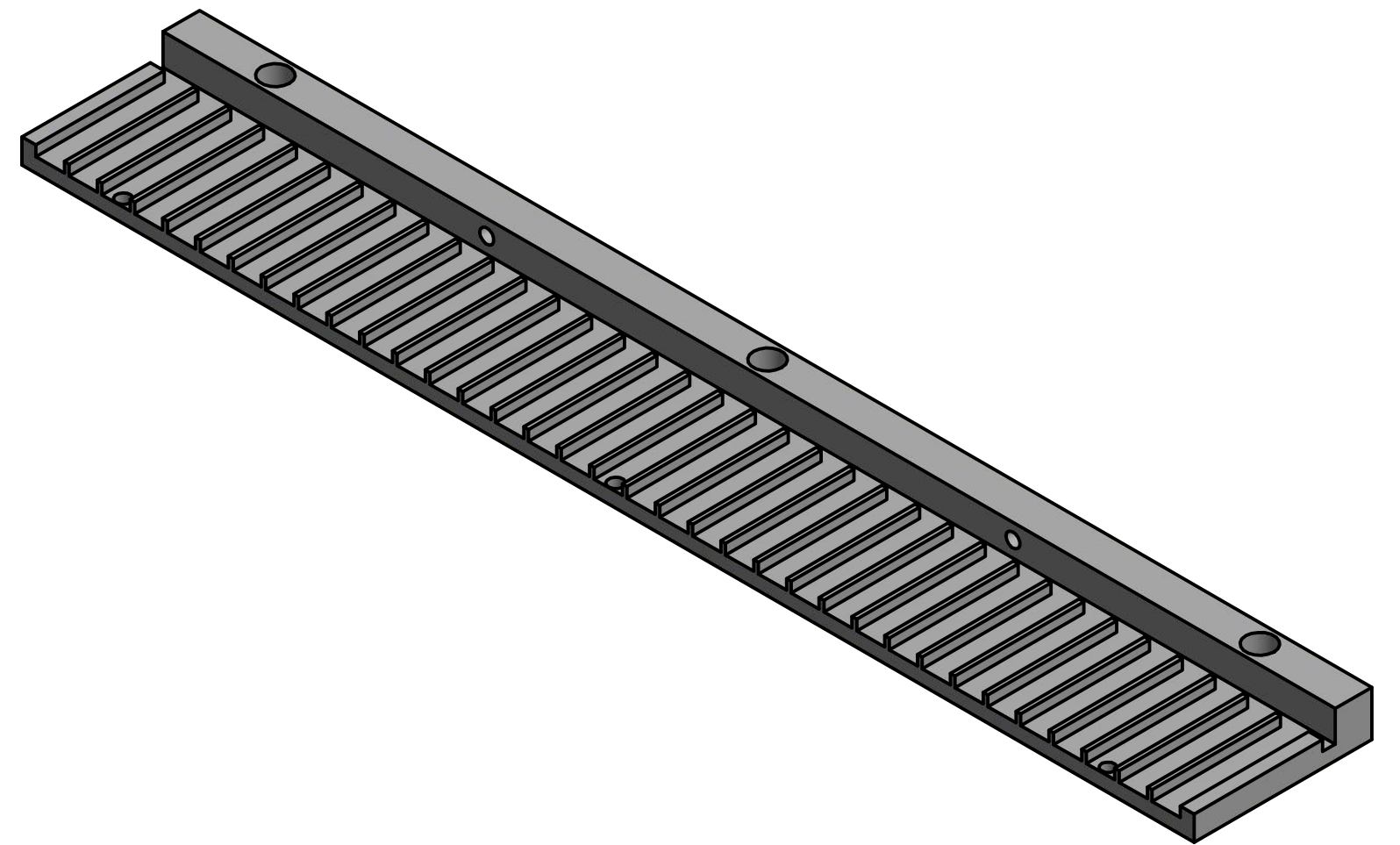
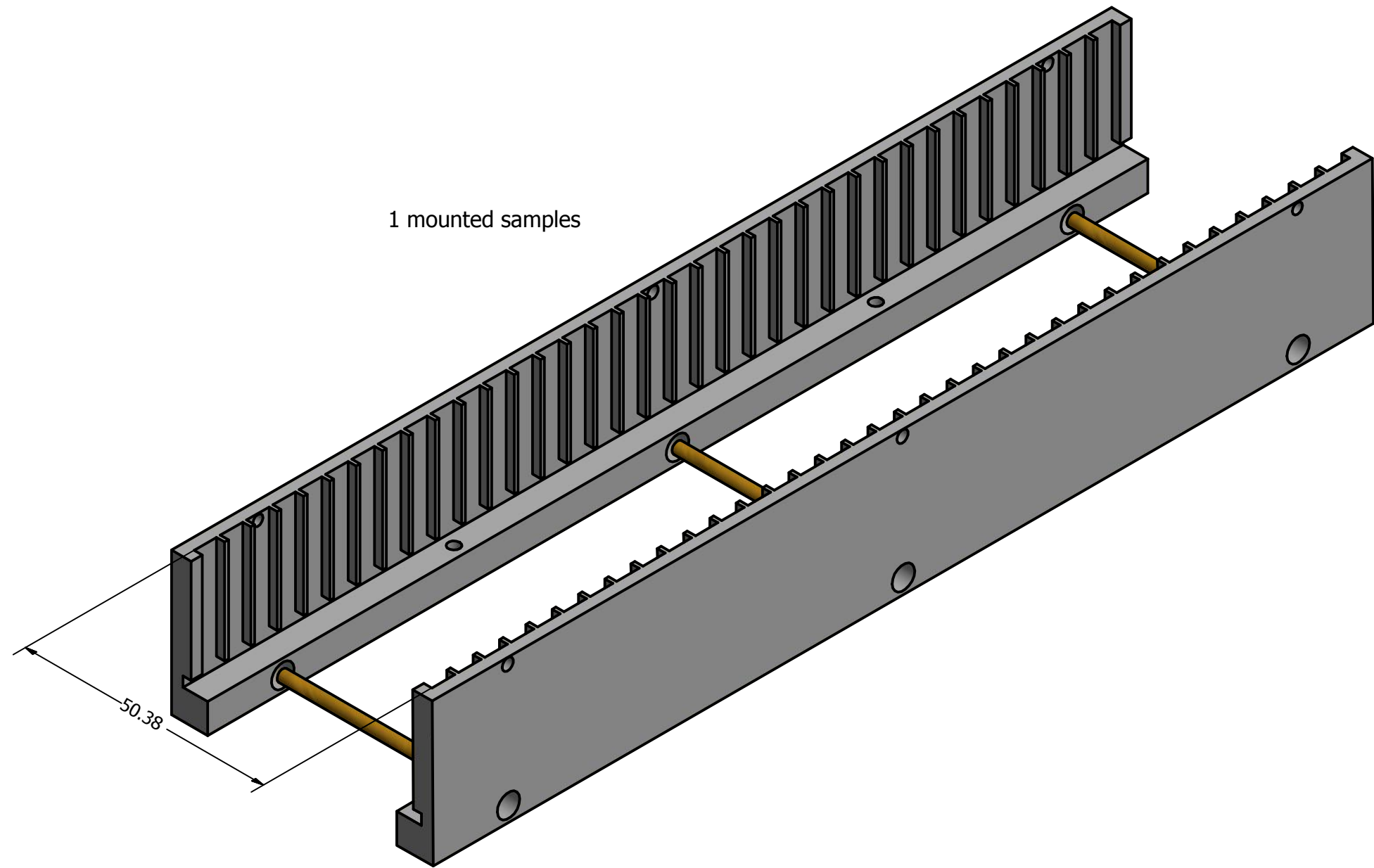
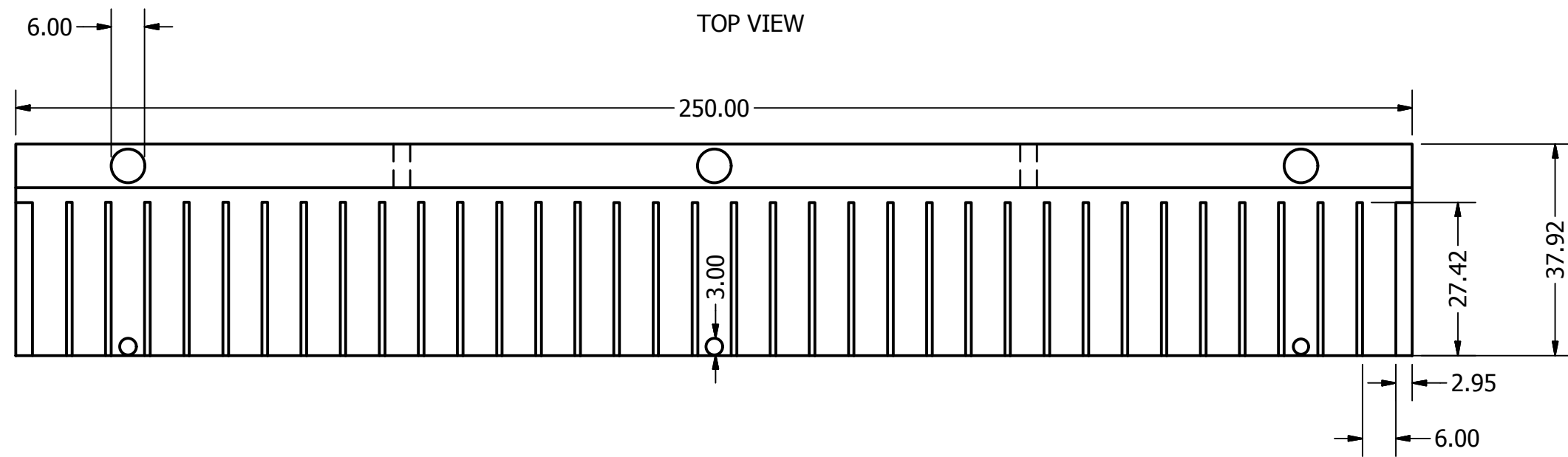


SLIDE HOLDER



FRONT VIEW



DRAWN G.Pezzullo	29/02/2016	TITLE		
CHECKED		Slide Holder		
QA		SIZE C	DWG NO	REV
MFG		SCALE	SHEET 1 OF 1	
APPROVED				